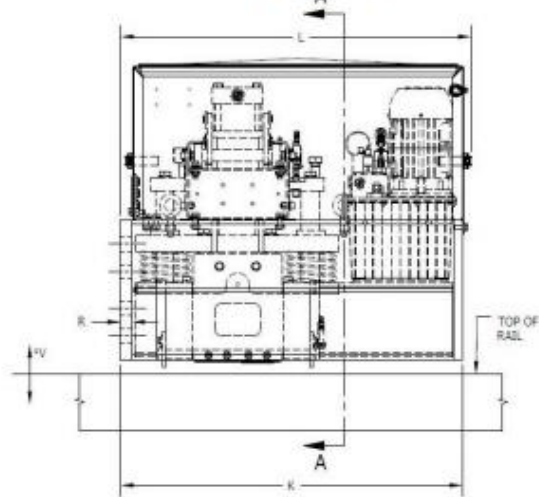
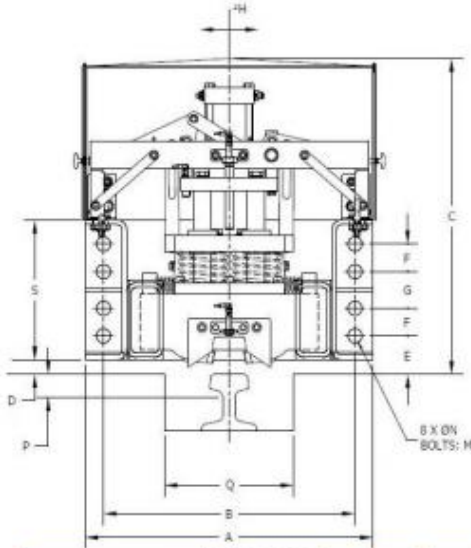


RRC-Spring Set, Hydraulic Release Rail Clamp shown
RRC-Spring Set, Electric Release Rail Clamp available

STANDARD FEATURES

- SF Side Flange mount to the crane structure
- TF Top Flange mount available (50 to 600 kN)
- Stainless steel removable cover with inspection doors
- Caging bolts for mechanical release
- Min Paint Thickness: 200-275 µm

- Prewired junction box
- Hand pump for manual release
- Solenoid valve with manual override
- Solenoid coil with LED indicator
- Integrated Temperature/Level Switch
- Adjustable setting time from 2-30 seconds



MODEL	HOLDING CAPACITY (kN)	A	B	C	D	E	F	G	K	L	M	N	*Q	P	R	S
RRC-HS-50-SF	50	578	530	735	30	75	50	65	710	735	20	22	280	70	22	254
RRC-HS-100-SF	100	705	635	775	40	85	65	90	860	884	27	29	340	75	32	310
RRC-HS-150-SF	150															
RRC-HS-200-SF	200															
RRC-HS-250-SF	250															
RRC-HS-300-SF	300															
RRC-HS-350-SF	350	800	700	860	40	105	75	100	953	976	36	39	380	75	38	380
RRC-HS-400-SF	400															
RRC-HS-450-SF	450															
RRC-HS-500-SF	500															
RRC-HS-600-SF	600															
RRC-HS-800-SF	800	850	730	1050	40	120	110	170	1200	1230	39	42	380	75	38	380
RRC-HS-900-SF	900															
RRC-HS-1000-SF	1000															
RRC-HS-1200-SF	1200	900	780	1050	40	115	100	180	1400	1430	42	45	400	75	45	530

*Q – Dimensions are subject to a specific rail size.
 *V-Vertical Rail Deviation (Float) ±25 relative to Rail Clamp enclosure at full rated capacity.
 *H-Horizontal Rail Deviation (Float) ±25 relative to Rail Clamp enclosure at full rated capacity. Larger floats available upon request.
 Models with holding capacities calculated with friction factor 0.5. Models with holding capacities calculated with friction factor 0.25 available upon request.
 All dimensions (mm) and capacities (kN) subject to change without notification.